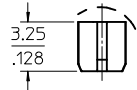
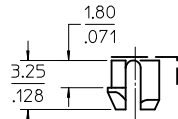
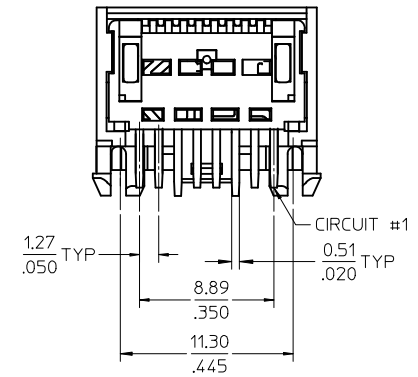
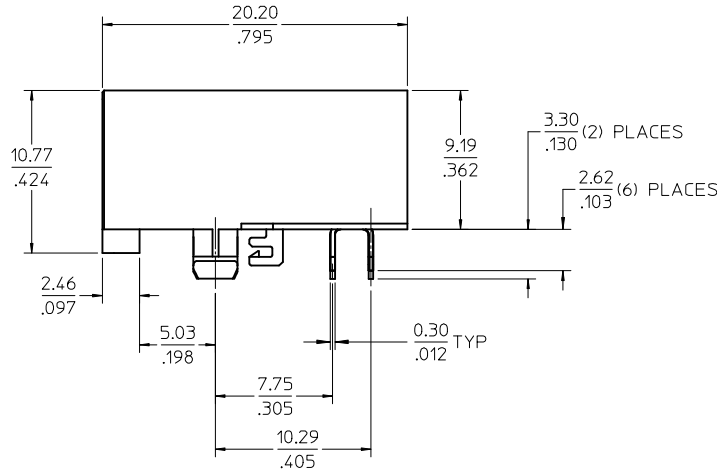
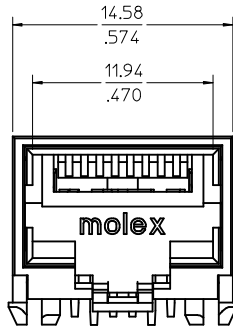
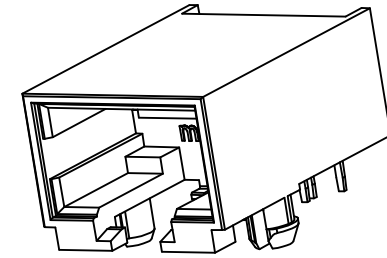


- NOTES:
 1) MATERIAL:
 HOUSING: NYLON(IPA), GLASS FILLED, UL94V-0, COLOR: BLACK
 TERMINALS: PHOSPHOR BRONZE
 2) FINISH:
 TERMINALS:
 SELECT GOLD IN CONTACT AREA: 1.27 MICROMETERS / 50 MICROINCHES MIN.,
 *SELECT MATTE TIN IN PC TAIL AREA: 2.54 MICROMETERS / 100 MICROINCHES MIN.,
 WITH OVERALL NICKEL UNDERPLATE: 1.27 MICROMETERS / 50 MICROINCHES MIN.
 *THE PRIMARY SHIPPING CARTON WILL BE LABELED "COMPLIANT TO RoHS
 DIRECTIVE 2002/95/EC AND ELV ANNEX II OF DIRECTIVE 2000/53/EC".
 CARTONS WITHOUT THIS LABEL MAY CONTAIN PRODUCT WITH TIN-LEAD
 IN THE PC TAILS.
 3) PRODUCT SPECIFICATION AND PROCESSING PARAMETERS: PS-44560-003.
 4) PACKAGING SPECIFICATION:
 CONNECTOR PACKAGED IN TRAYS PER MOLEX PACKAGING SPECIFICATION
 PK-44661-004.
 5) CONFORMS TO FCC REGULATION PART 68.5 FOR MODULAR JACKS.
 6) SEE SHEET (4) OF (4) FOR RECOMMENDED PANEL OPENING AND PCB LAYOUT.
 7) ASSEMBLY AVAILABLE WITH EITHER SNAP-FIT OR PRESS-FIT PEGS. THIS
 DRAWING SHOWS SNAP-FIT PEGS.
 8) TERMINAL LENGTHS MAY BE DIFFERENT FROM TERMINAL TO TERMINAL.
 9) THIS PART CONFORMS TO CLASS B REQUIREMENTS OF COSMETIC
 SPECIFICATION PS-45499-002.



SNAP-FIT PEG

PRESS-FIT PEG

ASSEMBLY MATERIAL NUMBER	PEG STYLE
446610002	SNAP-FIT
446611002	PRESS-FIT

REV	DESCRIPTION	QUALITY SYMBOLS
G1	UPDATE NOTES EC NO: UCP2009-1236 DRWN: KLOSTEMEIER 2008/11/12 CHKD: J.BELL 2008/11/13 APPR: FSMITH 2008/11/14	▽=0 ▽=0

GENERAL TOLERANCES (UNLESS SPECIFIED)	
mm	INCH
4 PLACES ± .005	± .0005
3 PLACES ± .002	± .0002
2 PLACES ± 0.30	± .012
1 PLACE ± .005	± .0005
ANGULAR ± 1/2°	

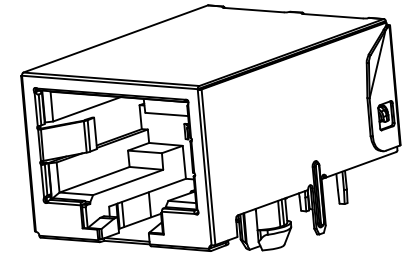
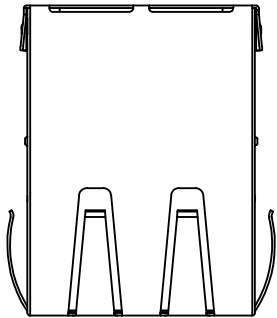
DRAFT WHERE APPLICABLE MUST REMAIN WITHIN DIMENSIONS

DIMENSION STYLE	
MM/IN	
DRAWN BY	DATE
MKAMAR	00/04/07
CHECKED BY	DATE
MKAMAR	00/04/07
APPROVED BY	DATE
JROBERTS	00/04/07
MATERIAL NO.	DOCUMENT NO.
SEE CHART	SD-44661-001

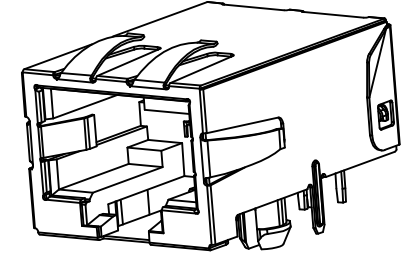
SCALE	DESIGN UNITS	THIRD ANGLE PROJECTION
4:1	INCH	
COMPACT SINGLE PORT CATEGORY 5 MODJACK		
MOLEX INCORPORATED		
THIS DRAWING CONTAINS INFORMATION THAT IS PROPRIETARY TO MOLEX INCORPORATED AND SHOULD NOT BE USED WITHOUT WRITTEN PERMISSION		SHEET NO. 1 OF 4

NOTES:

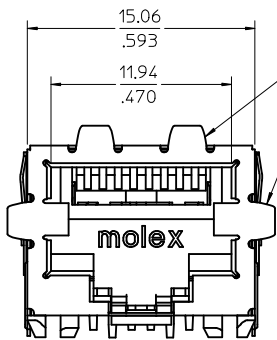
- 1) MATERIAL:
HOUSING: NYLON(PA), GLASS FILLED, UL94V-0, COLOR: BLACK
TERMINALS: PHOSPHOR BRONZE
SHIELD: BRASS, 0.18 / .007 THICK
- 2) FINISH:
TERMINALS:
SELECT GOLD IN CONTACT AREA: 127 MICROMETERS / 50 MICROINCHES MIN.
*SELECT MATTE TIN IN PC TAIL AREA: 2.54 MICROMETERS / 100 MICROINCHES MIN.,
WITH OVERALL NICKEL UNDERPLATE: 1.27 MICROMETERS / 50 MICROINCHES MIN.
SHIELD:
*2.54 MICROMETERS / 100 MICROINCHES NICKEL OVER 1.27 MICROMETERS /
50 MICROINCHES COPPER UNDERPLATE, PCB GROUND TABS DIPPED IN TIN
*THE PRIMARY SHIPPING CARTON WILL BE LABELED "COMPLIANT TO ROHS
DIRECTIVE 2002/95/EC AND ELV ANNEX II OF DIRECTIVE 2000/53/EC".
CARTONS WITHOUT THIS LABEL MAY CONTAIN PRODUCT WITH TIN-LEAD
IN THE PC TAILS AND/OR SHIELD.
- 3) PRODUCT SPECIFICATION AND PROCESSING PARAMETERS: PS-44560-003.
- 4) PACKAGING SPECIFICATION:
CONNECTOR PACKAGED IN TRAYS PER MOLEX PACKAGING
SPECIFICATION PK-44661-004.
- 5) CONFORMS TO FCC REGULATION PART 68.5 FOR MODULAR JACKS.
- 6) ENHANCED GROUND TABS SHIELD (OPTION -B-) IS SHOWN IN THIS DRAWING.
- 7) SEE SHEET (4) OF (4) FOR RECOMMENDED PANEL OPENING AND PCB LAYOUT.
- 8) ASSEMBLY AVAILABLE WITH EITHER SNAP-FIT OR PRESS-FIT PEGS. THIS
DRAWING SHOWS SNAP-FIT PEGS.
- 9) TERMINAL LENGTHS MAY BE DIFFERENT FROM TERMINAL TO TERMINAL.
- 10) THIS PART CONFORMS TO CLASS B REQUIREMENTS OF COSMETIC
SPECIFICATION PS-45499-002.



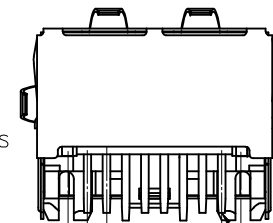
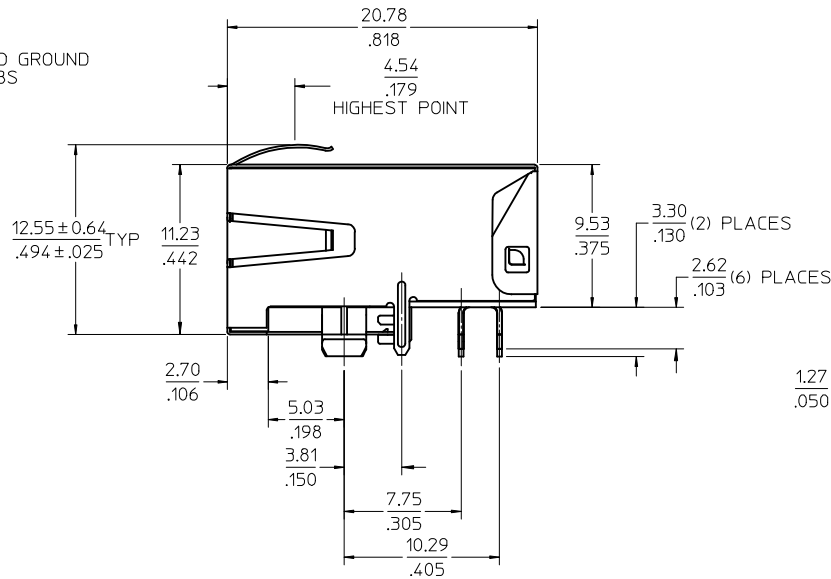
SHIELDING OPTION -A-
STANDARD SHIELD



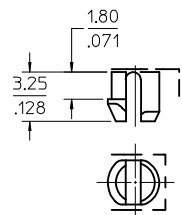
SHIELDING OPTION -B-
ENHANCED GROUND TABS



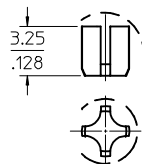
ENHANCED GROUND
TABS



CIRCUIT #1



SNAP-FIT PEG



PRESS-FIT PEG

ASSEMBLY MATERIAL NUMBER	PEG STYLE	SHIELDING OPTION
446610001	SNAP-FIT	A
446610011	SNAP-FIT	B
446611001	PRESS-FIT	A
446611011	PRESS-FIT	B

REV	DESCRIPTION	QUALITY SYMBOLS
G1	UPDATE NOTES EC NO: UCP2009-1236 DRWN: JLOSTEME IER 2008/11/12 CHKD: BELL 2008/11/13 APPR: FSMITH 2008/11/14	<p>▽=0</p> <p>▽=0</p>

GENERAL TOLERANCES (UNLESS SPECIFIED)	
mm	INCH
4 PLACES ± .012	± .005
3 PLACES ± .012	± .005
2 PLACES ± 0.30	± .012
1 PLACE ± .012	± .005
ANGULAR ± 1/2°	

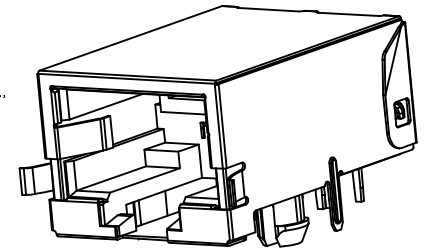
DRAFT WHERE APPLICABLE
MUST REMAIN
WITHIN DIMENSIONS

DIMENSION STYLE	
MM/IN	
DRAWN BY	DATE
MKAMAR	00/04/07
CHECKED BY	DATE
MKAMAR	00/04/07
APPROVED BY	DATE
JROBERTS	00/04/07
MATERIAL NO.	DOCUMENT NO.
SEE CHART	SD-44661-001

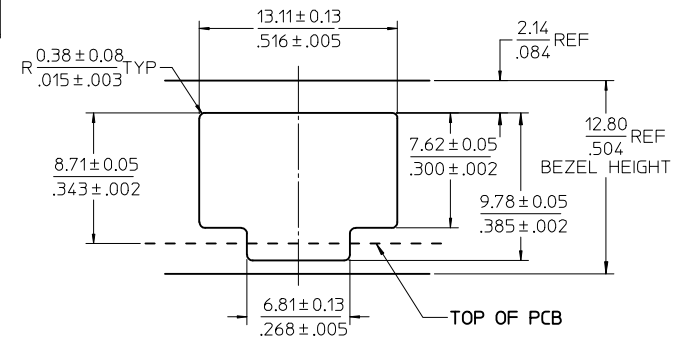
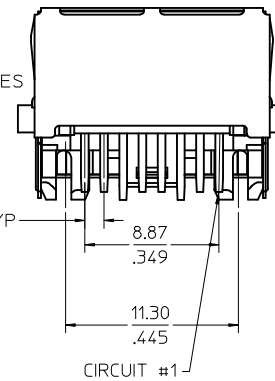
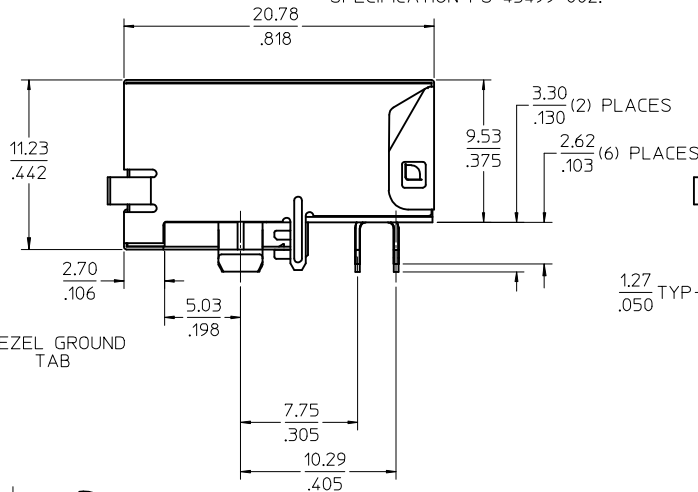
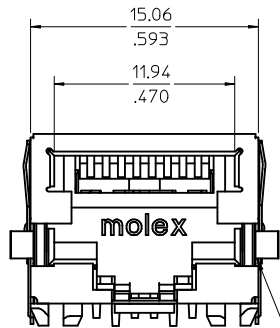
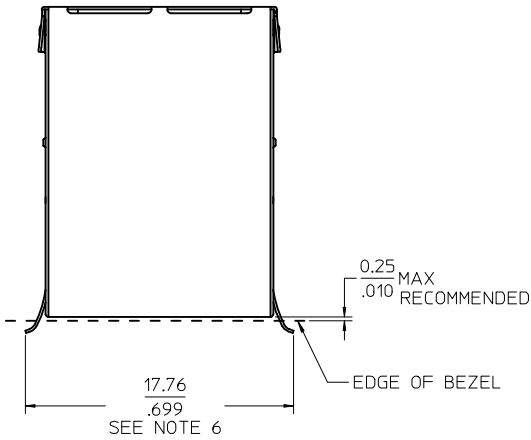
SCALE	DESIGN UNITS	THIRD ANGLE PROJECTION
4:1	INCH	
COMPACT SINGLE PORT CATEGORY 5 MODJACK		
MOLEX INCORPORATED		
SHEET NO.		2 OF 4

THIS DRAWING CONTAINS INFORMATION THAT IS PROPRIETARY TO MOLEX INCORPORATED AND SHOULD NOT BE USED WITHOUT WRITTEN PERMISSION

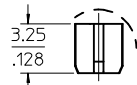
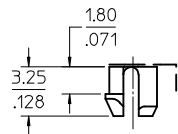
- NOTES:
- MATERIAL:
HOUSING: NYLON (PA), GLASS FILLED, UL94V-0, COLOR: BLACK
TERMINALS: PHOSPHOR BRONZE
SHIELD: BRASS, 0.18 / .007 THICK
 - FINISH:
TERMINALS:
SELECT GOLD IN CONTACT AREA: 1.27 MICROMETERS / 50 MICROINCHES MIN.,
*SELECT MATTE TIN IN PC TAIL AREA: 2.54 MICROMETERS / 100 MICROINCHES MIN.,
WITH OVERALL NICKEL UNDERPLATE: 1.27 MICROMETERS / 50 MICROINCHES MIN.
SHIELD:
*2.54 MICROMETERS / 100 MICROINCHES NICKEL OVER 1.27 MICROMETERS / 50 MICROINCHES COPPER UNDERPLATE, PCB GROUND TABS DIPPED IN TIN.
*THE PRIMARY SHIPPING CARTON WILL BE LABELED "COMPLIANT TO RoHS DIRECTIVE 2002/95/EC AND ELV ANNEX II OF DIRECTIVE 2000/53/EC".
CARTONS WITHOUT THIS LABEL MAY CONTAIN PRODUCT WITH TIN-LEAD IN THE PC TAILS AND/OR SHIELD.
 - PRODUCT SPECIFICATION AND PROCESSING PARAMETERS: PS-44560-003.
 - PACKAGING SPECIFICATION:
CONNECTOR PACKAGED IN TRAYS PER MOLEX PACKAGING SPECIFICATION PK-44661-004.
 - CONFORMS TO FCC REGULATION PART 68.5 FOR MODULAR JACKS.
 - THIS DIMENSION HAS A MAXIMUM OF 20.45/0.805 WHEN THE JACK IS INSTALLED BEHIND THE BEZEL.
 - SEE SHEET (4) OF (4) FOR PCB LAYOUT.
 - ASSEMBLY AVAILABLE WITH EITHER SNAP-FIT OR PRESS-FIT PEGS. THIS DRAWING SHOWS SNAP-FIT PEGS.
 - TERMINAL LENGTHS MAY BE DIFFERENT FROM TERMINAL TO TERMINAL.
 - THIS PART CONFORMS TO CLASS B REQUIREMENTS OF COSMETIC SPECIFICATION PS-45499-002.



SHIELDING OPTION -C-
BEZEL GROUND TABS



RECOMMENDED
PANEL OPENING
FOR PMC BEZEL ONLY

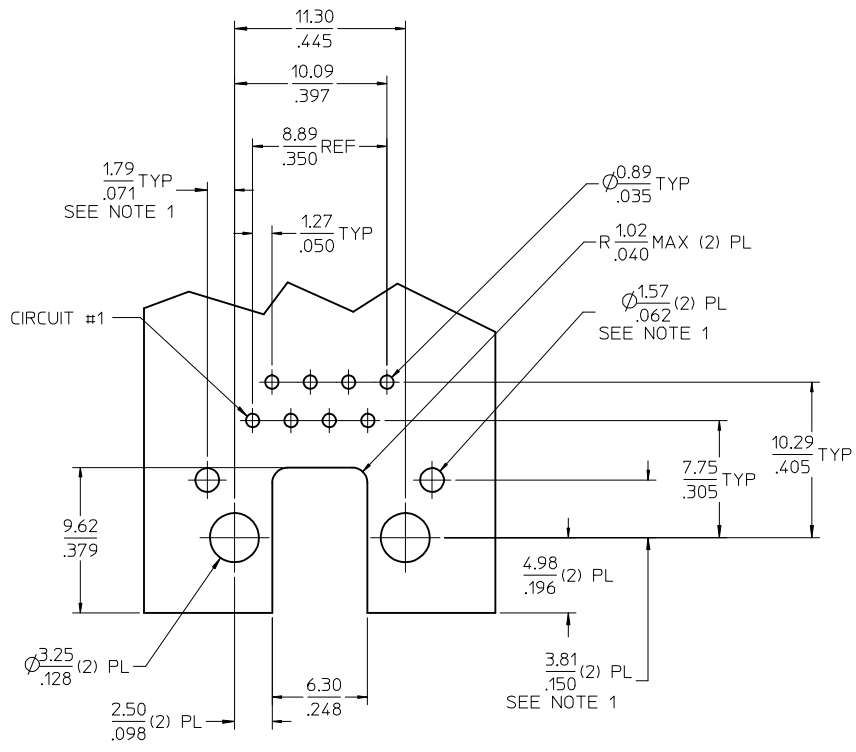
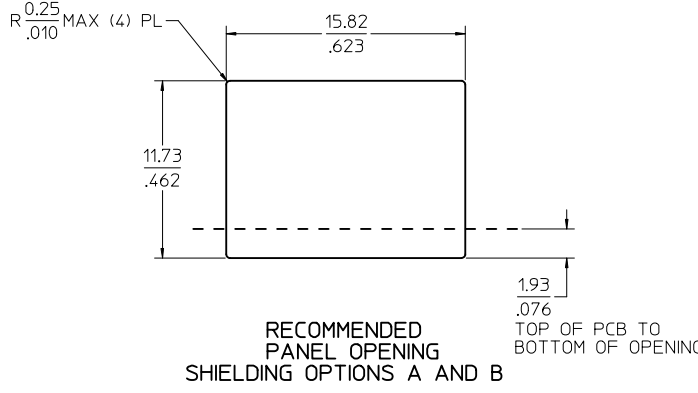


SNAP-FIT PEG

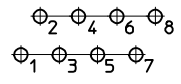
PRESS-FIT PEG

UPDATE NOTES EC NO: UCP2009-1236 DRWIN:KLOSTERMAYER 2008/11/12 CHKD:JBELL 2008/11/13 APPR:FSMITH 2008/11/14 REV: G1	QUALITY SYMBOLS ▽=0 ▽=0	GENERAL TOLERANCES (UNLESS SPECIFIED) <table border="1"> <thead> <tr> <th></th> <th>mm</th> <th>INCH</th> </tr> </thead> <tbody> <tr> <td>4 PLACES</td> <td>± .15</td> <td>± .005</td> </tr> <tr> <td>3 PLACES</td> <td>± .10</td> <td>± .002</td> </tr> <tr> <td>2 PLACES</td> <td>± 0.30</td> <td>± .012</td> </tr> <tr> <td>1 PLACE</td> <td>± .15</td> <td>± .005</td> </tr> </tbody> </table>		mm	INCH	4 PLACES	± .15	± .005	3 PLACES	± .10	± .002	2 PLACES	± 0.30	± .012	1 PLACE	± .15	± .005	DIMENSION STYLE MM/IN	SCALE 4:1	DESIGN UNITS INCH	THIRD ANGLE PROJECTION
		mm	INCH																		
	4 PLACES	± .15	± .005																		
	3 PLACES	± .10	± .002																		
2 PLACES	± 0.30	± .012																			
1 PLACE	± .15	± .005																			
DRAFT WHERE APPLICABLE MUST REMAIN WITHIN DIMENSIONS		DRAWN BY MKAMAR DATE 00/04/07	CHECKED BY MKAMAR DATE 00/04/07	TITLE COMPACT SINGLE PORT CATEGORY 5 MODJACK																	
MATERIAL NO. SEE CHART		APPROVED BY JROBERTS DATE 00/04/07	MOLEX INCORPORATED																		
SIZE C		DOCUMENT NO. SD-44661-001		SHEET NO. 3 OF 4																	

ASSEMBLY MATERIAL NUMBER	PEG STYLE
446610021	SNAP-FIT
446611021	PRESS-FIT



PCB LAYOUT : COMPONENT SIDE
RECOMMENDED PCB THICKNESS (SNAP-FIT PEG) : 1.57/.062
TOLERANCE $\pm 0.076/0.003$ UNLESS OTHERWISE SPECIFIED



TYPICAL PC TERMINAL HOLE LAYOUT

NOTES:
1. DIMENSIONS REFER TO ASSEMBLIES WITH SHIELDING OPTION

EC NO: UCP2009-1236 DRWN: KLOSTEMEIER 2008/11/12 CHKD: JRELL 2008/11/13 APPR: FSMITH 2008/11/14	QUALITY SYMBOLS	GENERAL TOLERANCES (UNLESS SPECIFIED)		DIMENSION STYLE	SCALE	DESIGN UNITS	THIRD ANGLE PROJECTION	
	$\nabla=0$ $\nabla=0$	mm	INCH	MM/IN	4:1	INCH		
		4 PLACES \pm ---	\pm ---		DRAWN BY	DATE	TITLE	
		3 PLACES \pm ---	± 0.12		MKAMAR	00/04/07	COMPACT SINGLE PORT CATEGORY 5 MODJACK	
	2 PLACES ± 0.30	\pm ---		CHECKED BY	DATE			
	1 PLACE \pm ---	\pm ---		MKAMAR	00/04/07			
		ANGULAR $\pm 1/2^\circ$		APPROVED BY	DATE	MOLEX INCORPORATED		
		DRAFT WHERE APPLICABLE MUST REMAIN WITHIN DIMENSIONS		JROBERTS	00/04/07	DOCUMENT NO. SD-44661-001		
				MATERIAL NO.	N/A	SHEET NO. 4 OF 4		
				SIZE	THIS DRAWING CONTAINS INFORMATION THAT IS PROPRIETARY TO MOLEX INCORPORATED AND SHOULD NOT BE USED WITHOUT WRITTEN PERMISSION			